



axldrone – PDB 80A

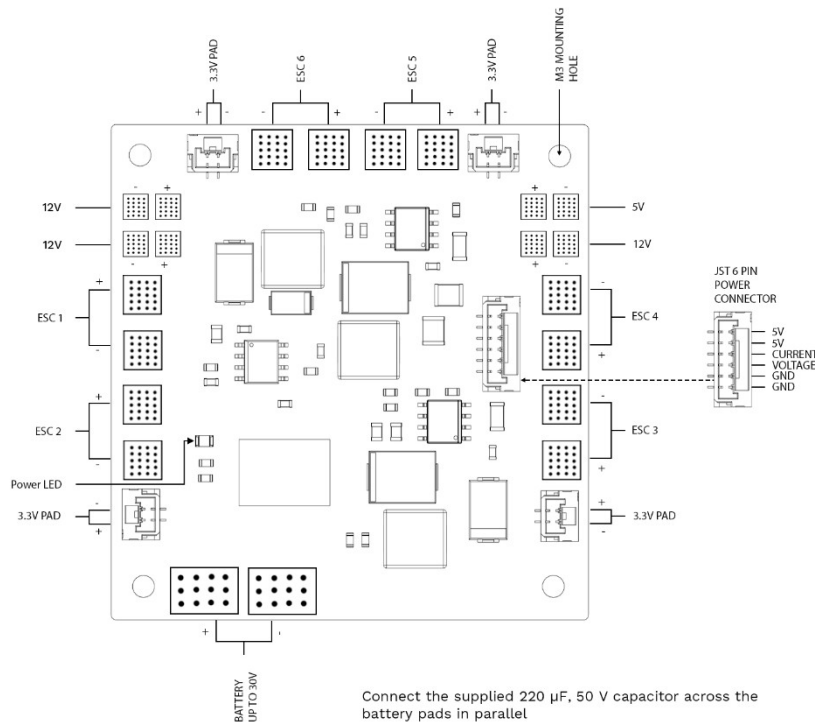
Module Datasheet

Table of Contents

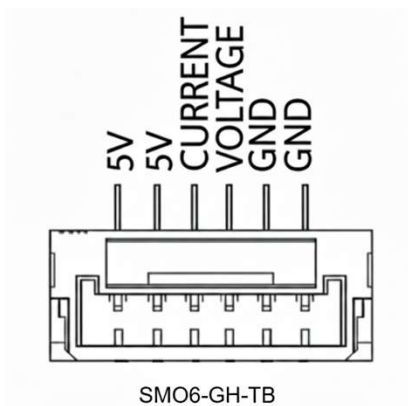
1	Introduction	1
2	Technical Specifications.....	2

1 Introduction

axldrone's PDB 80A is engineered to reliably route battery power to multiple ESCs and peripherals while providing precise current and voltage monitoring and clean, regulated outputs for onboard electronics. Built for durability and tight builds, the PDB 80A combines robust power handling with useful telemetry and regulation features to simplify your power architecture.



JST 6-Pin Power Connection header - SMO6-GH-TB (Mating Connector GHR-06-VS)



2 Technical Specifications

Feature	Specification
Model	PDB 80A
Mechanical Size	54 mm × 56 mm × 7.5 mm
Mounting Hole	M3 (four mounting holes)
Weight	18 g
PCB Material	High-density FR4
Input Voltage Range	Up to 30 V (supports up to 6S LiPo)
Maximum Current Handling	Up to 80 A
Number of Output Channels	Supports up to 6 ESCs (six +/- power pads)
Integrated Voltage Regulators (DC-DC / BECs)	5 V / 4 A, 12 V / 4 A, 3.3 V / 1.5 A
Power Connector	JST 6-pin power connector (5V, 5V, CURRENT, VOLTAGE, GND, GND)
Sensors	Integrated Hall-effect current sensor and voltage sensing for monitoring/telemetry
Country of Manufacture	100% Made in India
Recommended Use	Multicopter drones, rovers, electric cycle, electric skateboard, etc.