



axl 30XL DIY Drone Kit

User Manual

V2.0 | 25.03

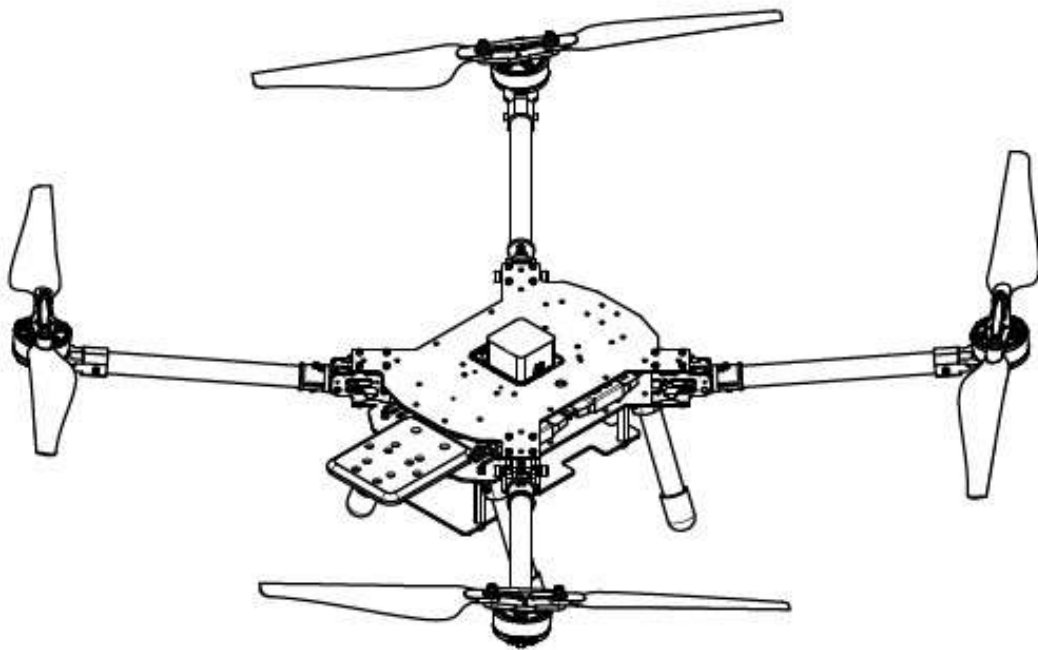


Table of Contents

Overview 1

 B B Bg 2

 B B 6

 Bg B BC 6

 16

Storage & Maintenance..... 16

C 17

Overview

B B B o B B B B B B B B B

B B B B B B B B B B B B

B B B

B

g B B B B B B B B B B B B B

B B B B B B B B B B B B B

B B B h B' h B B B B B B B B B

B B B B

B

B B B B B B B B B B B B

B B B B B B B B B B B B

B B B B B B B B B B B B

B B B B B B B B B B B B

B

B B B B B B B B B B B B


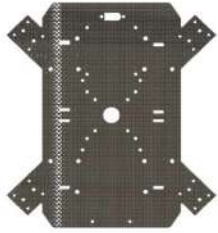

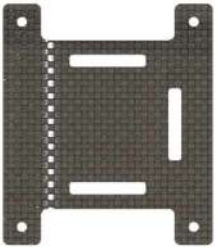

B B B B B B B B B B B B






B B B B






B


B B B B B B B B B B B B

B

B B B B		
1 B	B	C
h B B B B B	B	
h B B B B B	B	
h B B B B	B	
h B B h B B	B	
B B B B B	B B	

<p>C B B B B B</p>	<p>B</p>	
<p>C B B B</p>	<p>B</p>	
<p>B B B</p>	<p>B B</p>	
<p>B B</p>	<p>B</p>	
<p>B B B B</p>	<p>B</p>	

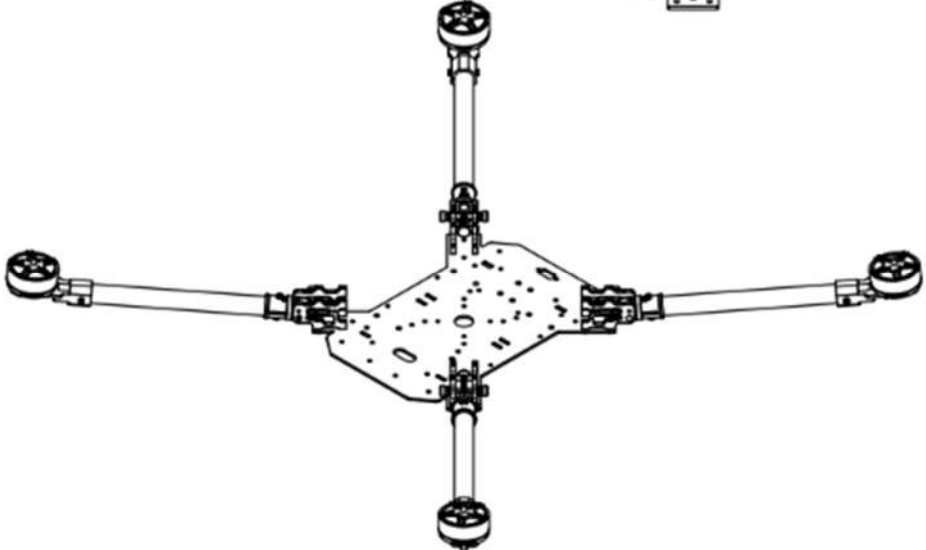
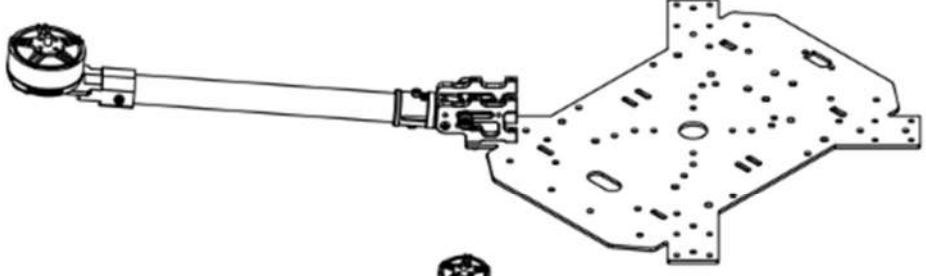
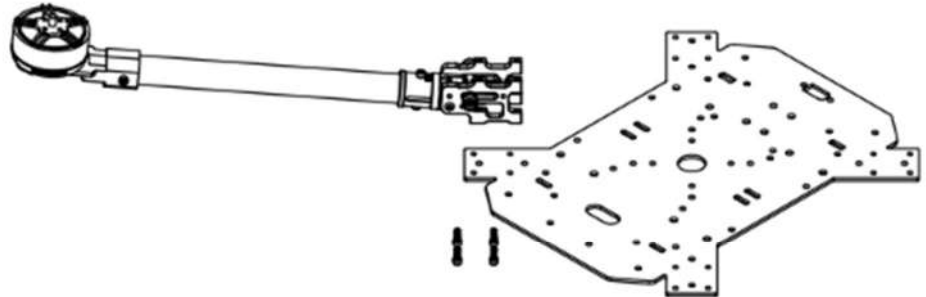
<p>B B</p>	<p>B</p>	
<p>h B B</p>	<p>B</p>	
<p>ESCB</p>	<p>4 PcsB</p>	
<p>MotorB</p>	<p>4 Pcs (with Allen bolts)B</p>	
<p>PropellerB</p>	<p>2 Set (2 CW, 2 CCW) (with Allen bolts)B</p>	

FC	1	
----	---	---

0 C C B		
1	B	B
B B	B EC Eg B B B	B
	B EC Eg B	B
B B	B EC Eg B B B	B
B B	B EC Eg B B B	B
	B EC Eg B B B	B
' B B B	B EC Eg B	B
B	B B	B
g B B	B EC Eg B	B
	B B	B
Camera Mount	M3×10 mm Allen Bolts and nuts	2

C C

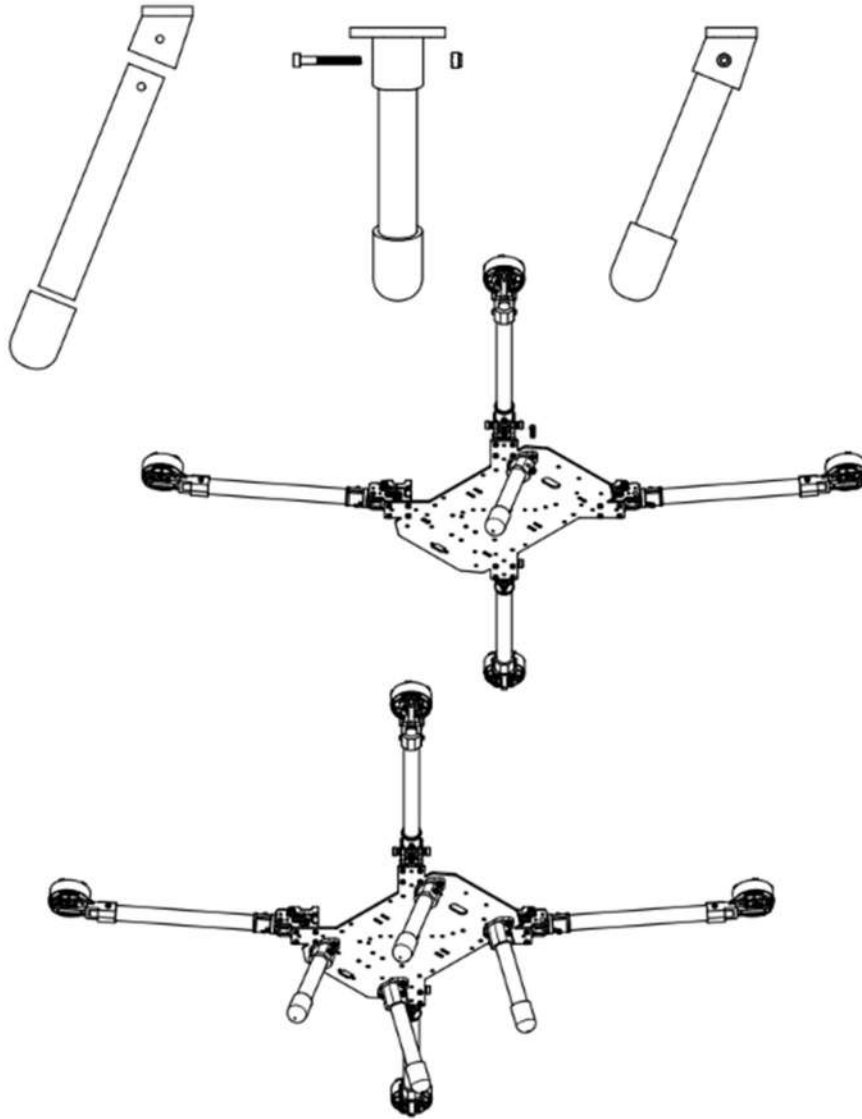
B B B B B B B B B B B B B B
 B B B B B B B B EC Bg B



B B B B B B B B B B B B B
 B

C C

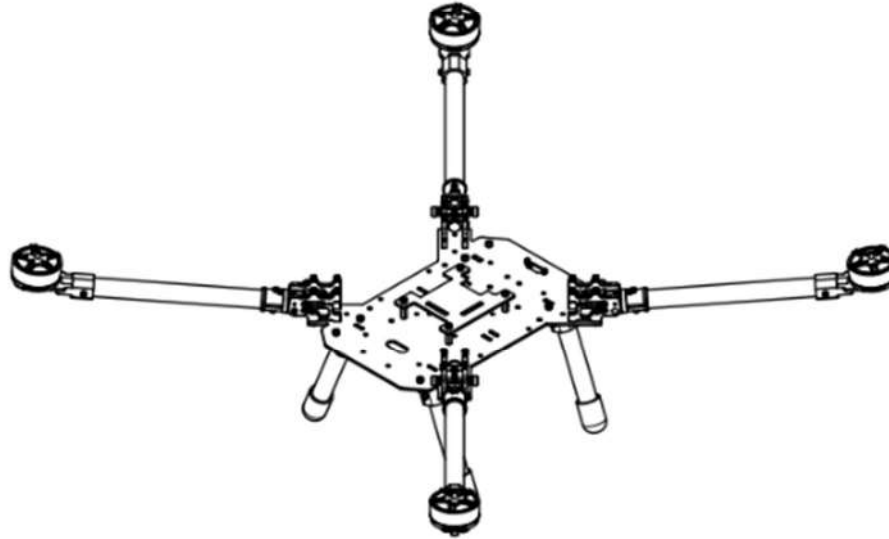
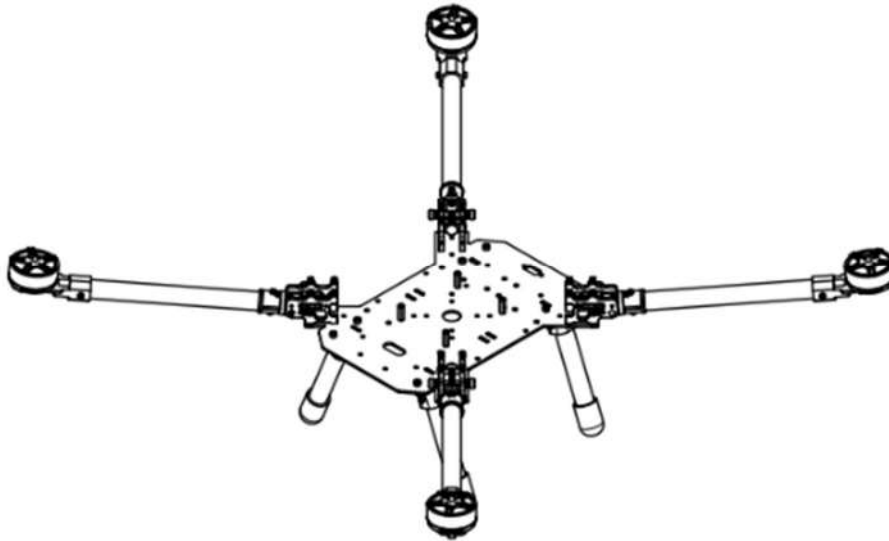
B B B B B B B B ECB B B B B
 B B B B B B B B B B B EC B B B B
 C B B B B B B B B B B B B B B B
 B EC B B B B



B B B B B B B B B B

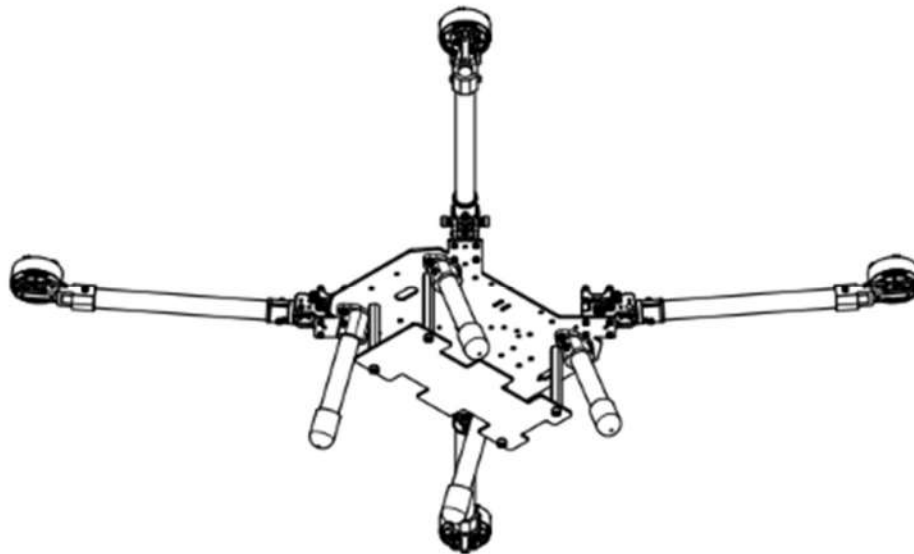
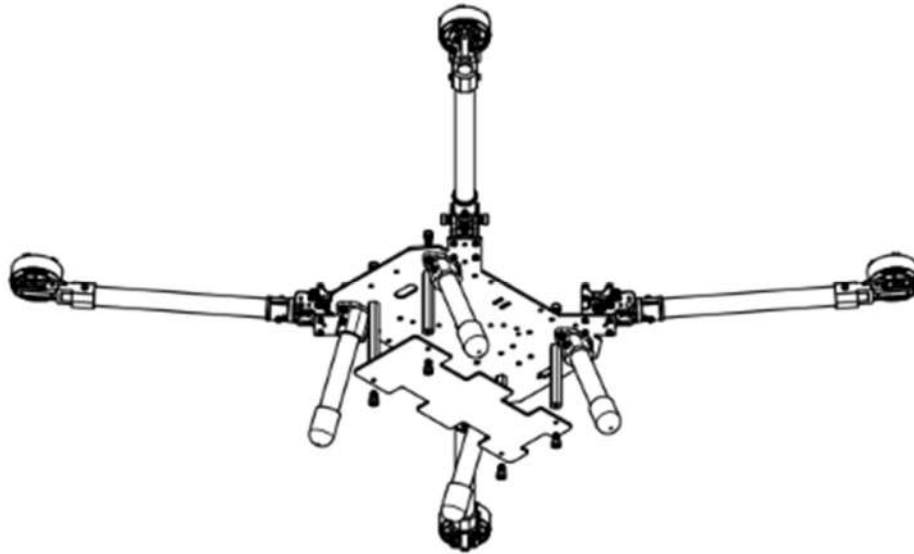
C B

' B B B B B B B B B B B B B B B
 B B B B B EC B B B B hB B B
 B B B B B B B EC B .



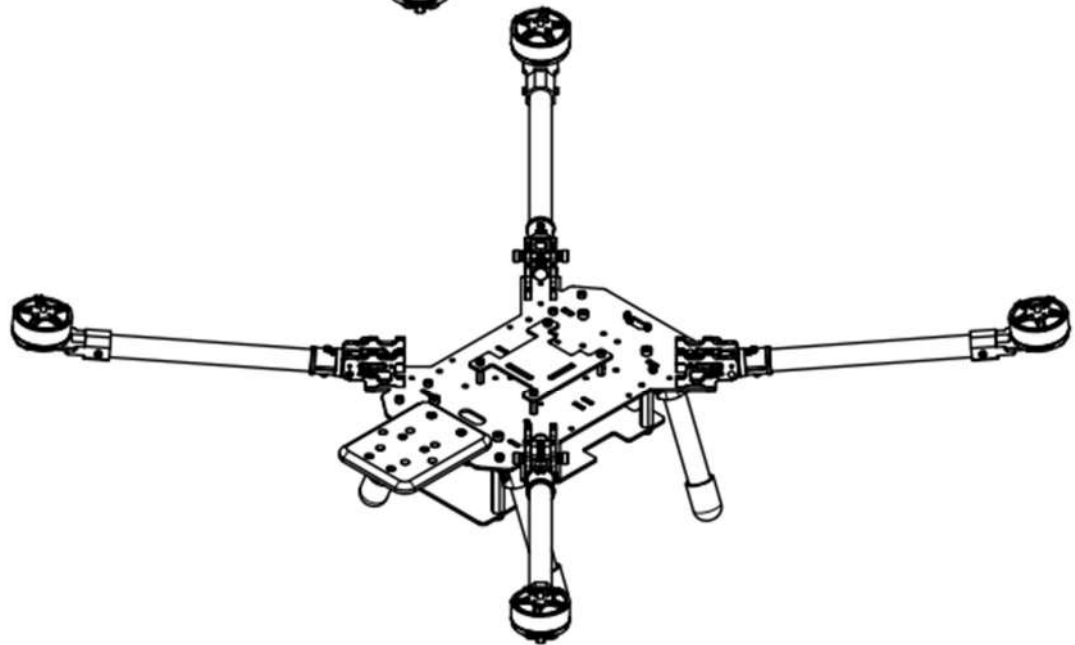
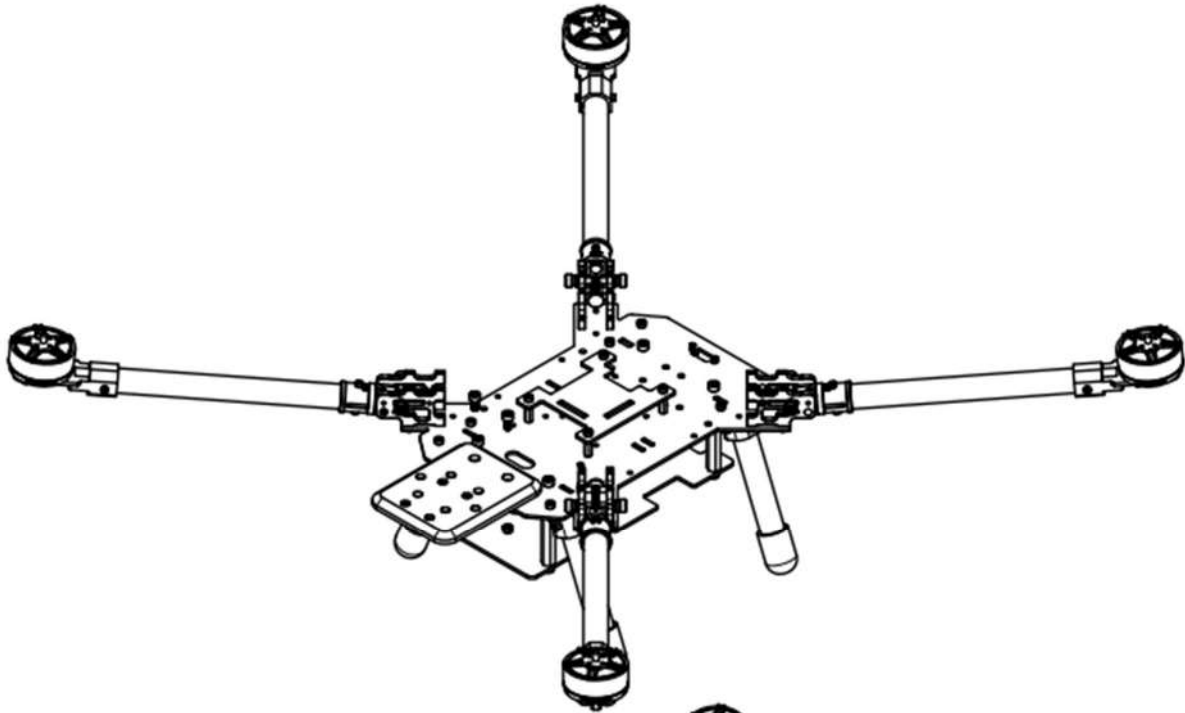
C B

B	B	B		B	B	B		B	B	B		B	B	B
B		B	B	B	B	B	B	B		EC	Bg	B	B	
	B	B	B	B	B	B	B	B	B	B	B	B	B	B
B	B		B	B		B	B	B		EC	Bg	B		



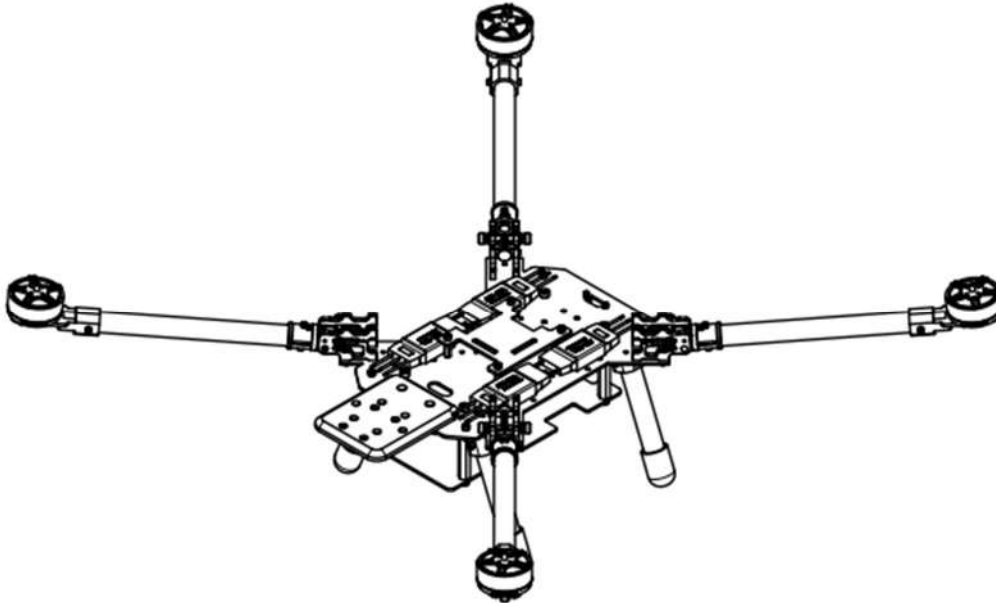
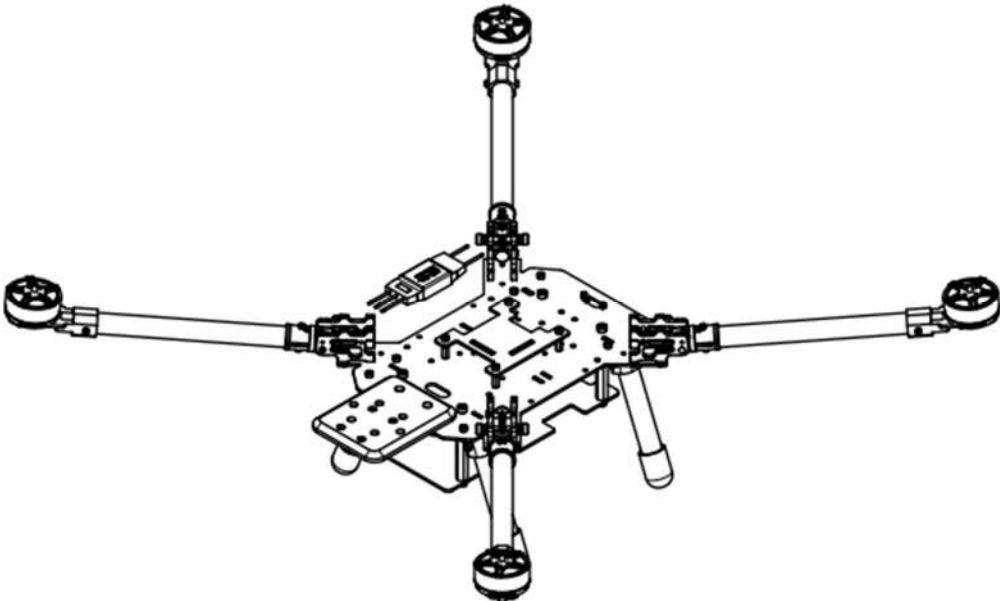
C B

B B B B B B B B B B B B B B B
 EC E_g B B B



C C

z h B B B B B B B



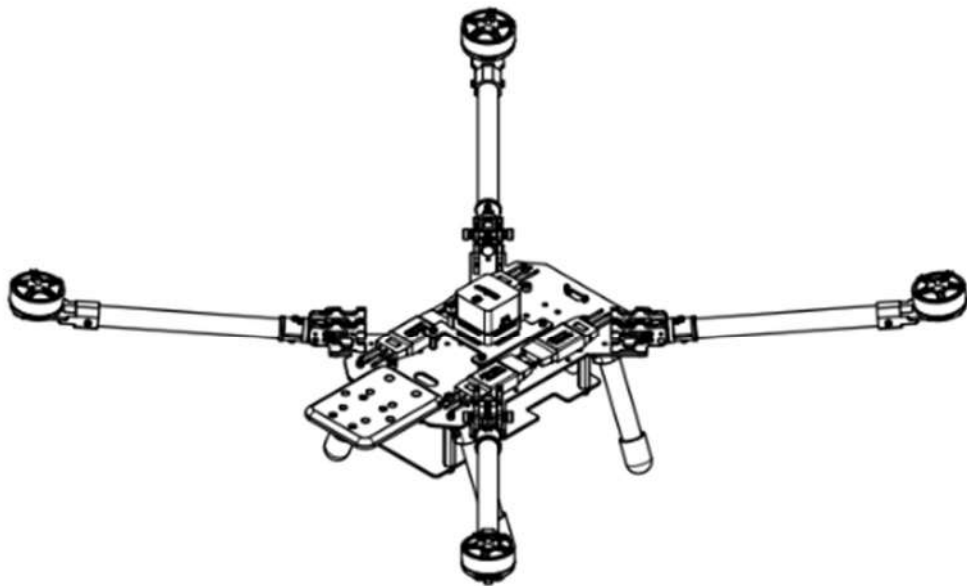
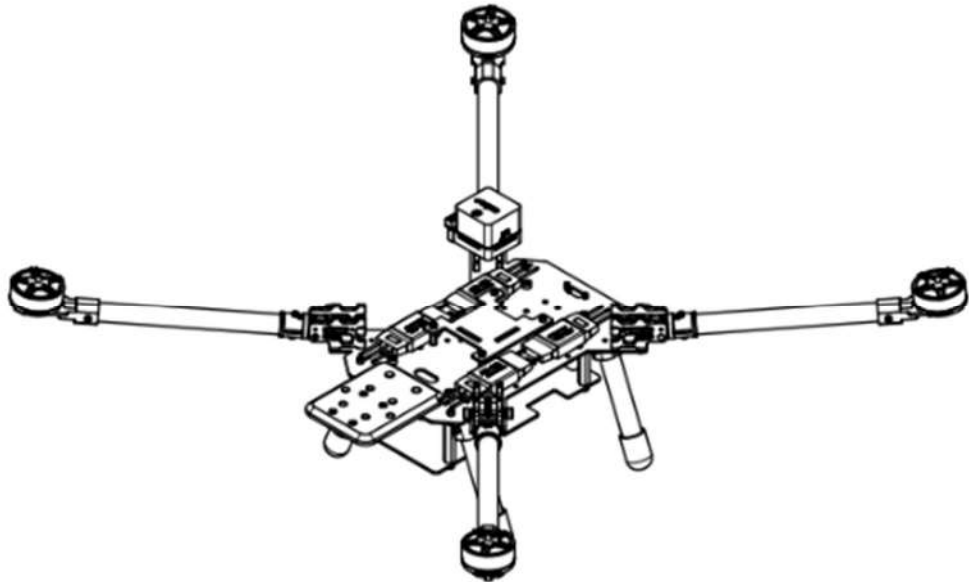
B

B

C C

B B hB B B h B B B B B B B B
 B B B B B

B

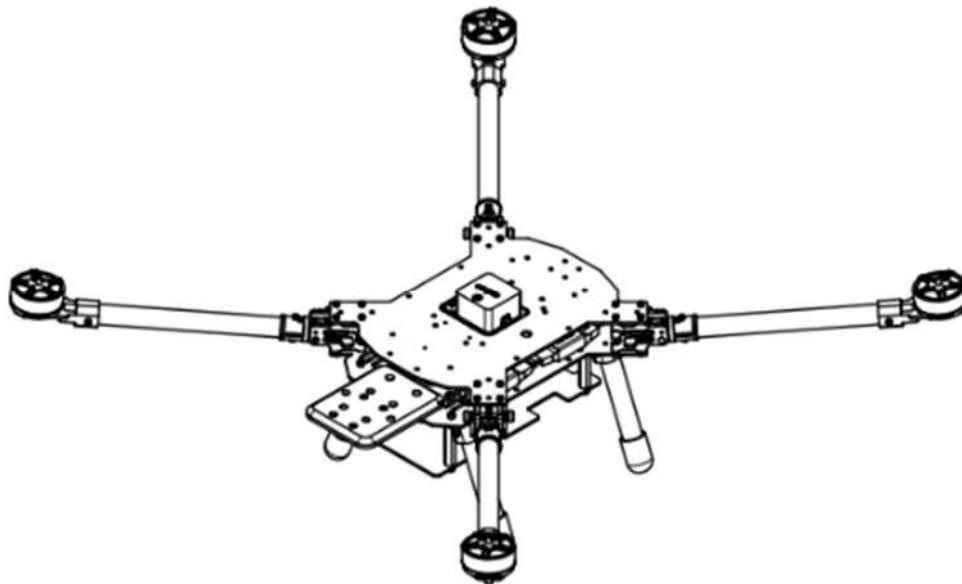
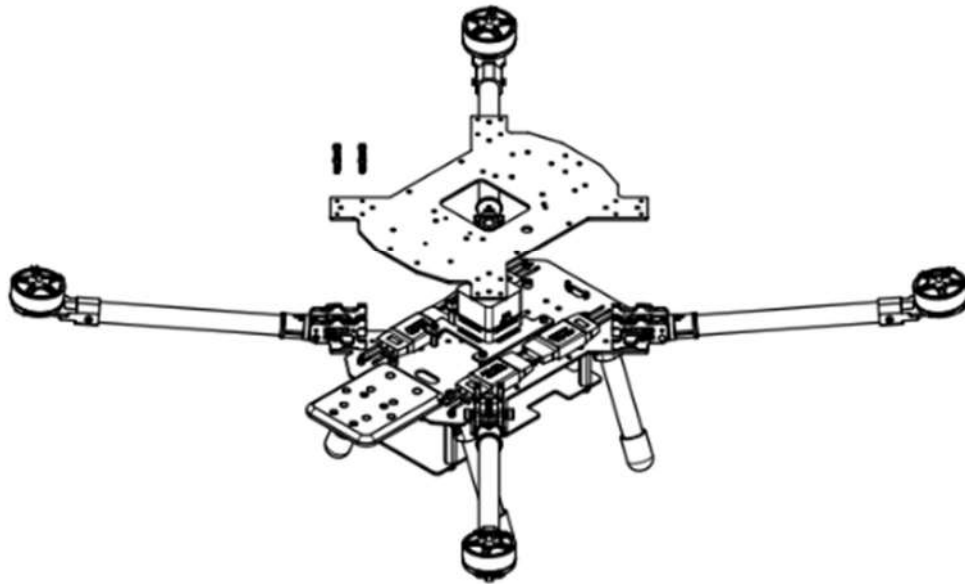


B

B

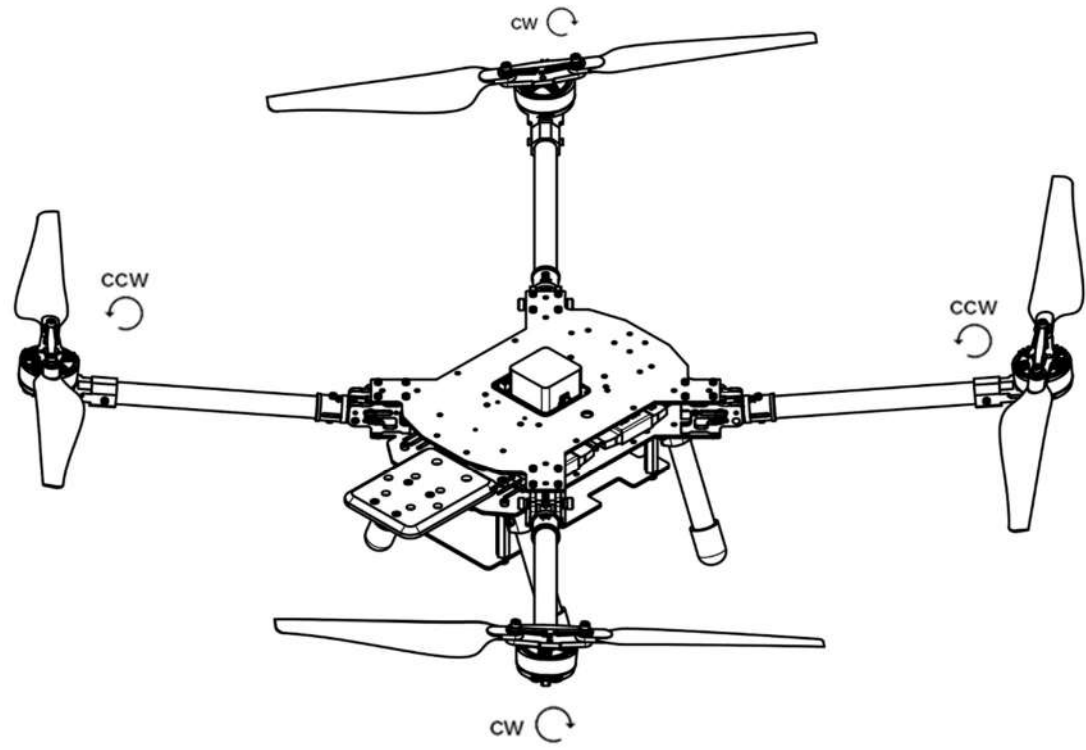
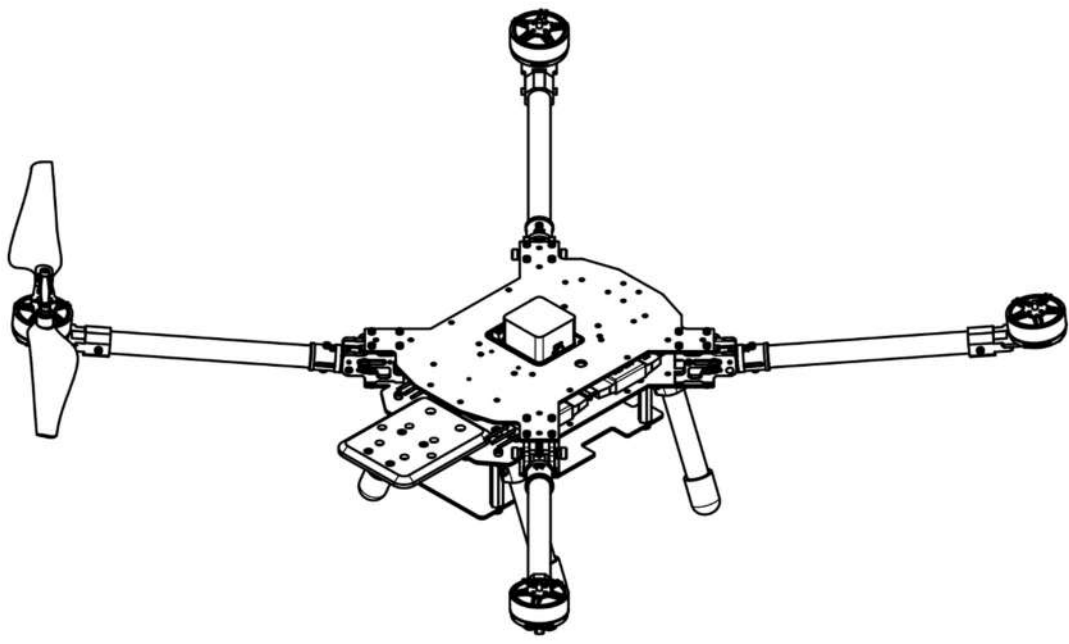
C B

B B B B B B B B B B B B B
 B B B B B B B B B BC Bg B



B

C B
B B B B B B B B B B



B

B

B

B	B
B BB	B BBB
BB	BB BB B B BB
' B B	h B B ECg EC B
B B B B B B	B
B	B B B B B B B B EC B
B	B B B B
z hB	B BB B EC B
' B B	EC B B B B B B
' B B	B Bh hEC B EC B B B
B B	EC B EC B B B

B

Storage & Maintenance

- B B B BB B B B B B B B B B
B B B B B B B B B B
- ' B B B B B BB B B B B B B B
B B B BB B B B B B B B
B B B B B B B B B B
B B B B

B
B
B

C C

- **C C** B B B B B B B B
 B Bg B B B B B B B B B
 B B B B B
- **0 C C C** B B B B B B B B B B B B
 B B B B B B B B B B B B
 z C B B B B
- **C** B B B B B B B B B B B B

Use thread locker to prevent loosening due to vibration.

Visit Our website



Feel free to connect



*Kakkanad, Ernakulam,
Kerala, India – 682030
P : +91 484 299 3399,
+91 949 771 7654
E : info@axldrone.com*

*C5 UL Cyber Park,
Special Economic Zone
Calicut, India – 673016
P : +91 9645 426 414
E : info@axldrone.com*

*1441 Broadway,
#5, New York, NY 10018
P : +(646) 260-6311
E : info@axldrone.com*